

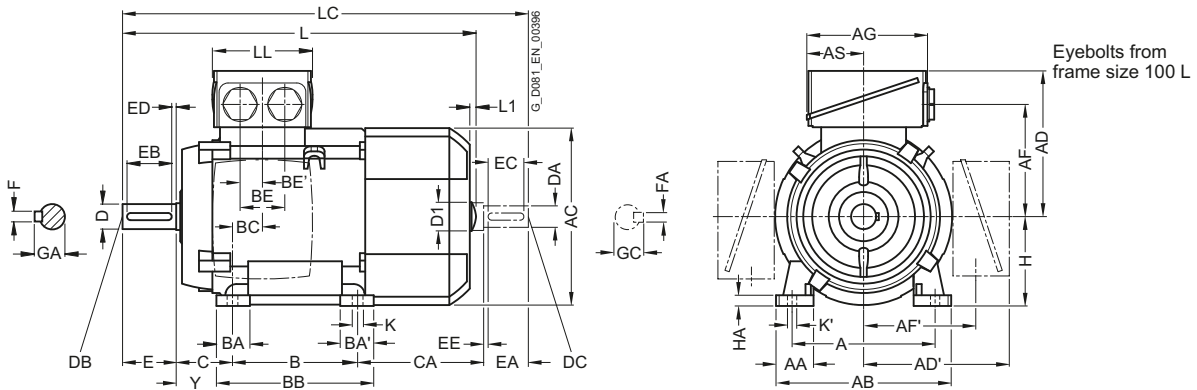
SIMOTICS GP 1LE1 Standard Motors

Dimensions

Aluminum series 1LE1001, 1LE1002, 1LE1011, 1LE1012, 1LE1021
Self-ventilated, frame sizes 100 L (80 M) to 160 L

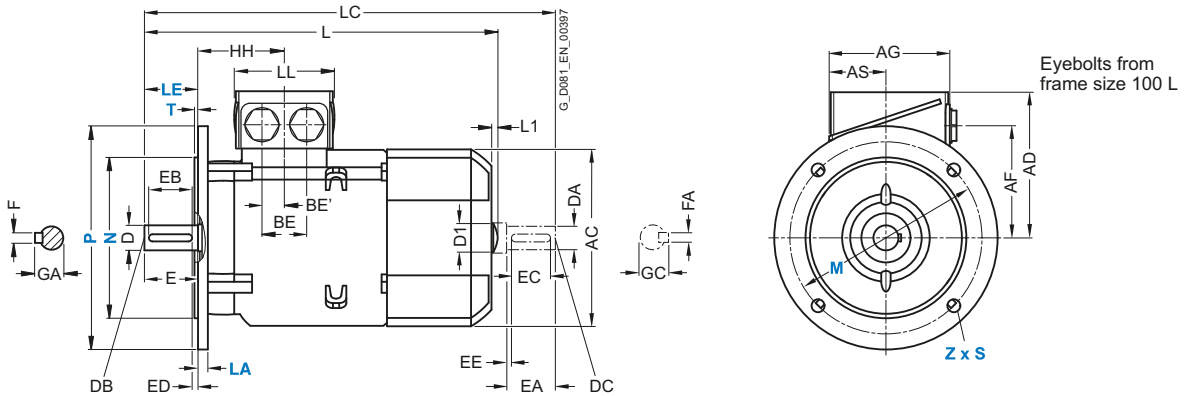
Dimensional drawings

Type of construction IM B3



Types of construction IM B5, IM V1

For flange dimensions, see section flange dimensions (Z = the number of retaining holes)



For motor			Dimension designation acc. to IEC																						
Frame size	No. of poles	Motor type	A	AA	AB	AC	AD	AD'	AF	AF'	AG	AS	B*	BA	BA'	BB	BC	BE	BE'	C ¹⁾	CA*	H	HA	Y ¹⁾	
80 M	2, 4, 6	1LE1001	125	30.5	150	159	121	-	96.5	-	93	43	100	32	-	118	23	-	18 ²⁾	50	-	80	8	41	
90 S	2, 4, 6		140	30.5	165	178	126	-	101.5	-	93	43	100	33	-	143	22.5	-	18 ²⁾	56	-	90	10	47	
90 L	2, 4, 6		140	30.5	165	178	126	-	101.5	-	93	43	125	33	-	143	22.5	-	18 ²⁾	56	-	90	10	47	
100 L	2, 4, 6, 8		All	160	42	196	198	166	166	125.5	125.5	135	63.5	140	37.5	-	176	33.5	50	25	63	141	100	12	45
112 M	2, 4, 6, 8		All	190	46	226	222	177	177	136.5	136.5	135	63.5	140	35.4	-	176	26	50	25	70	129.7	112	12	52
132 S	2, 4, 6, 8	All	216	53	256	262	202	202	159.5	159.5	155	70.5	140	38	76	218	26.5	48	24	89	128.5	132	15	69	
132 M	2, 4, 6, 8	All	216	53	256	262	202	202	159.5	159.5	155	70.5	178	38	76	218	26.5	48	24	89	128.5	132	15	69	
160 M	2, 4, 6, 8	All	254	60	300	314	236.5	236.5	190	190	175	77.5	210	44	89	300	47	57	28.5	108	148	160	18	85	
160 L	2, 4, 6, 8	All	254	60	300	314	236.5	236.5	190	190	175	77.5	254	44	89	300	47	57	28.5	108	148 ³⁾	160	18	85	

* This dimension is assigned in DIN EN 50347 to the frame size listed.

¹⁾ Additional information – not a standard dimension according to DIN EN 50347.

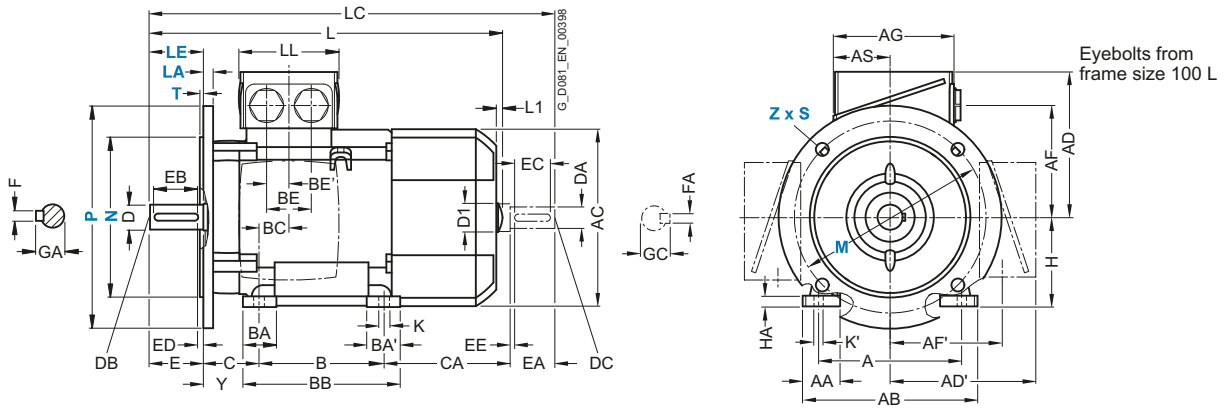
²⁾ Connecting hole for terminal box is on the side at the rear of the terminal box.

³⁾ Only for pole-changing types 1LE1011-1DP6 and 1LE1012-1DQ6 the dimension CA* is 208 mm.

Dimensional drawings (continued)

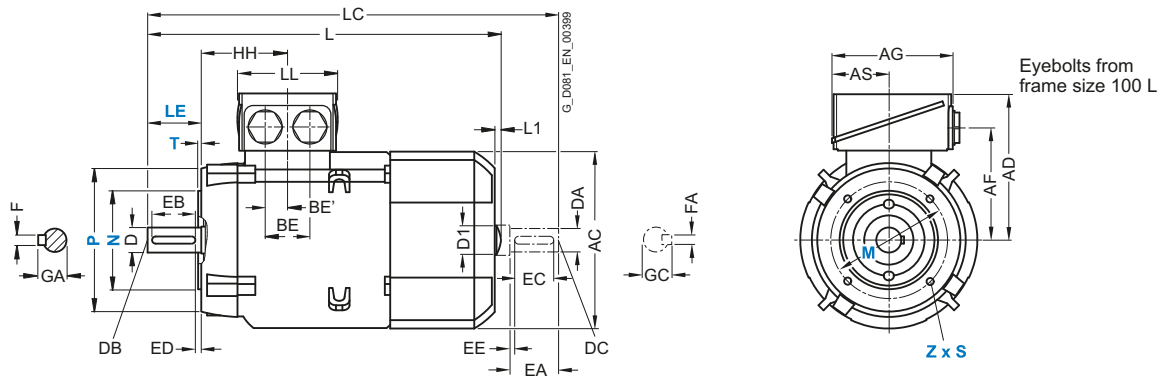
Type of construction IM B35

For flange dimensions, see section flange dimensions (Z = the number of retaining holes)



Type of construction IM B14

For flange dimensions, see section flange dimensions (Z = the number of retaining holes)



For motor			Dimension designation acc. to IEC							DE shaft extension					NDE shaft extension									
Frame size	No. of poles	Motor type	HH	K	K'	L	L1	D1	LC	LL	D	DB	E	EB	ED	F	GA	DA	DC	EA	EC	EE	FA	GC
80 M	2, 4, 6		73	9.5	13.5	292	-	-	-	79	19	M6	40	32	4	6	21.5	19	M6	40	32	4	6	21.5
90 S	2, 4, 6	1LE1001	78.5	10	14	347	-	-	-	79	24	M8	50	40	5	8	27	19	M6	40	32	4	6	21.5
90 L	2, 4, 6		78.5	10	14	347	-	-	-	79	24	M8	50	40	5	8	27	19	M6	40	32	4	6	21.5
100 L	2, 4, 6, 8	All	96.5	12	16	395.5 ¹⁾	7	32	454	112	28	M10	60	50	5	8	31	24	M8	50	40	5	8	27
112 M	2, 4, 6, 8	All	96	12	16	389 ¹⁾	7	32	450	112	28	M10	60	50	5	8	31	24	M8	50	40	5	8	27
132 S	2, 4, 6, 8	All	115.5	12	16	465 ¹⁾	8.5	39	535.5	130	38	M12	80	70	5	10	41	28	M10	60	50	5	8	31
132 M	2, 4, 6, 8	All	115.5	12	16	465 ¹⁾	8.5	39	535.5	130	38	M12	80	70	5	10	41	28	M10	60	50	5	8	31
160 M	2, 4, 6, 8	All	155	15	19	604 ¹⁾	10	45	730	145	42	M16	110	90	10	12	45	42	M16	110	90	10	12	45
160 L	2, 4, 6, 8	All	155	15	19	604 ¹⁾²⁾	10	45	730 ³⁾	145	42	M16	110	90	10	12	45	42	M16	110	90	10	12	45

1) The length is specified as far as the tip of the fan cover.

2) Only for pole-changing types 1LE1011-1DP6 and 1LE1012-1DQ6 the dimension L is 664 mm.

3) Only for pole-changing types 1LE1011-1DP6 and 1LE1012-1DQ6 the dimension LC is 790 mm.