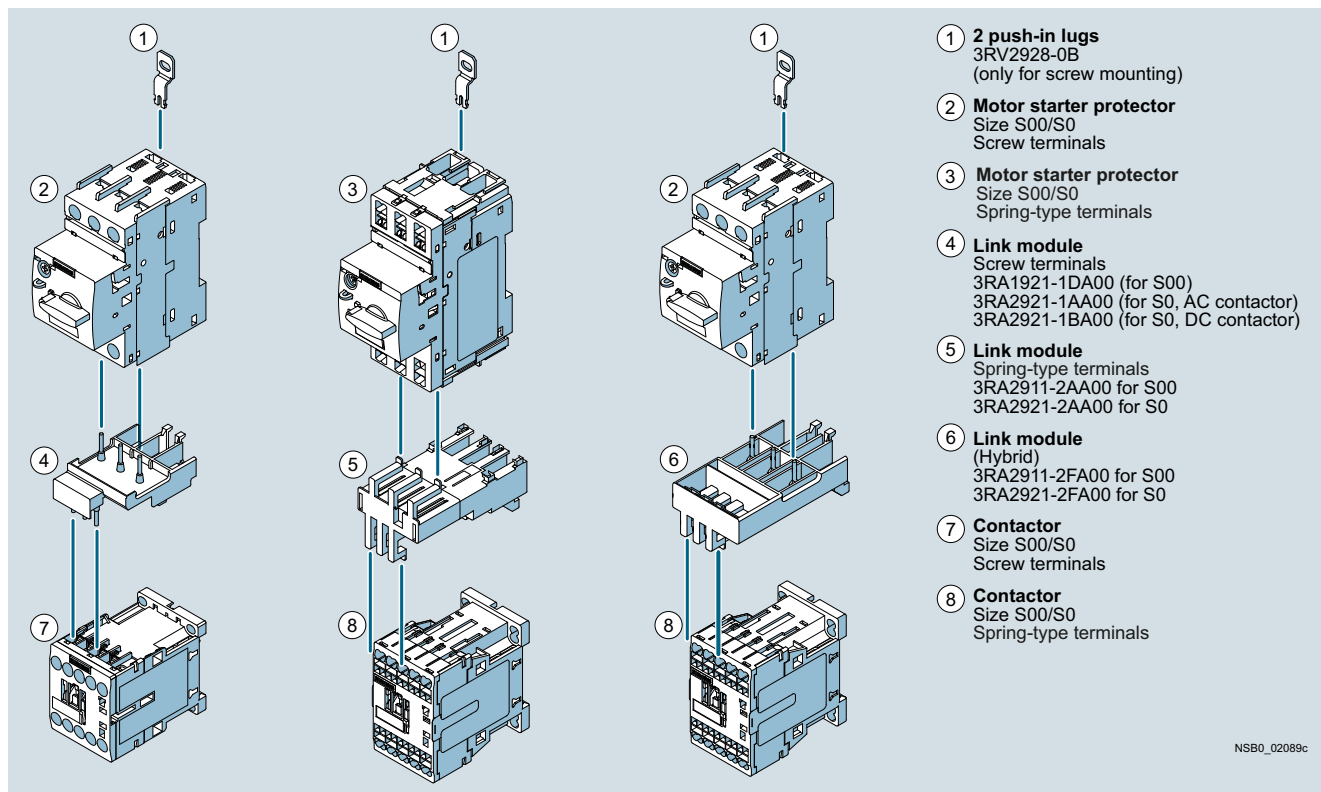


Load Feeders and Motor Starters for Use in the Control Cabinet

SIRIUS 3RA2 Load Feeders

General data

Direct-on-line starting • For standard rail mounting or screw fixing • Sizes S00 and S0



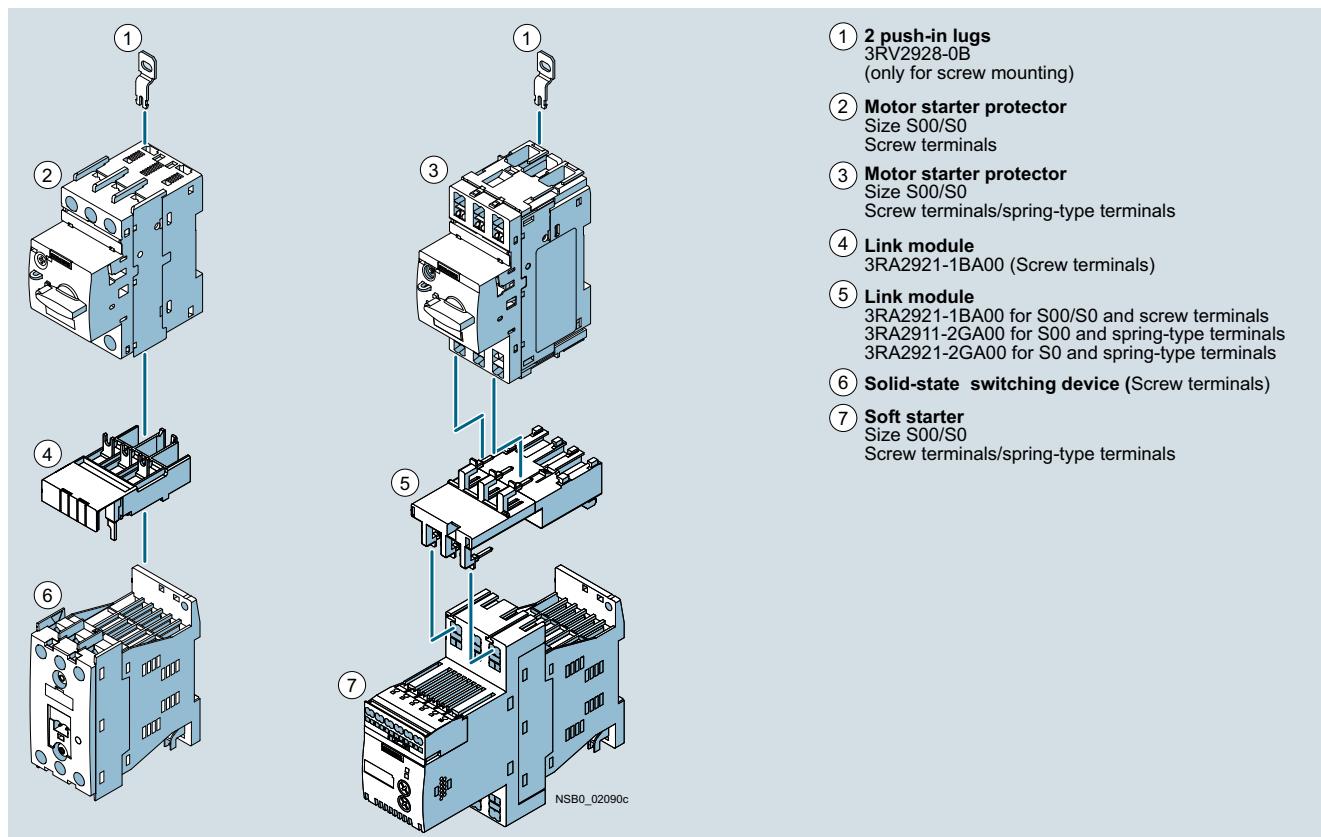
- ① **2 push-in lugs**
3RV2928-0B
(only for screw mounting)
- ② **Motor starter protector**
Size S00/S0
Screw terminals
- ③ **Motor starter protector**
Size S00/S0
Spring-type terminals
- ④ **Link module**
Screw terminals
3RA1921-1DA00 (for S00)
3RA2921-1AA00 (for S0, AC contactor)
3RA2921-1BA00 (for S0, DC contactor)
- ⑤ **Link module**
Spring-type terminals
3RA2911-2AA00 for S00
3RA2921-2AA00 for S0
- ⑥ **Link module**
(Hybrid)
3RA2911-2FA00 for S00
3RA2921-2FA00 for S0
- ⑦ **Contactor**
Size S00/S0
Screw terminals
- ⑧ **Contactor**
Size S00/S0
Spring-type terminals

NSB0_02089c

Left: 3RA21 load feeder with screw terminals

Center: 3RA21 load feeder with spring-type terminals

Right: Motor starter protector combination with screw terminals, with contactor with spring-type terminals



- ① **2 push-in lugs**
3RV2928-0B
(only for screw mounting)
- ② **Motor starter protector**
Size S00/S0
Screw terminals
- ③ **Motor starter protector**
Size S00/S0
Screw terminals/spring-type terminals
- ④ **Link module**
3RA2921-1BA00 (Screw terminals)
- ⑤ **Link module**
3RA2921-1BA00 for S00/S0 and screw terminals
3RA2911-2GA00 for S00 and spring-type terminals
3RA2921-2GA00 for S0 and spring-type terminals
- ⑥ **Solid-state switching device** (Screw terminals)
- ⑦ **Soft starter**
Size S00/S0
Screw terminals/spring-type terminals

NSB0_02090c

Left: Motor starter protector combination with solid-state switching device with screw terminals

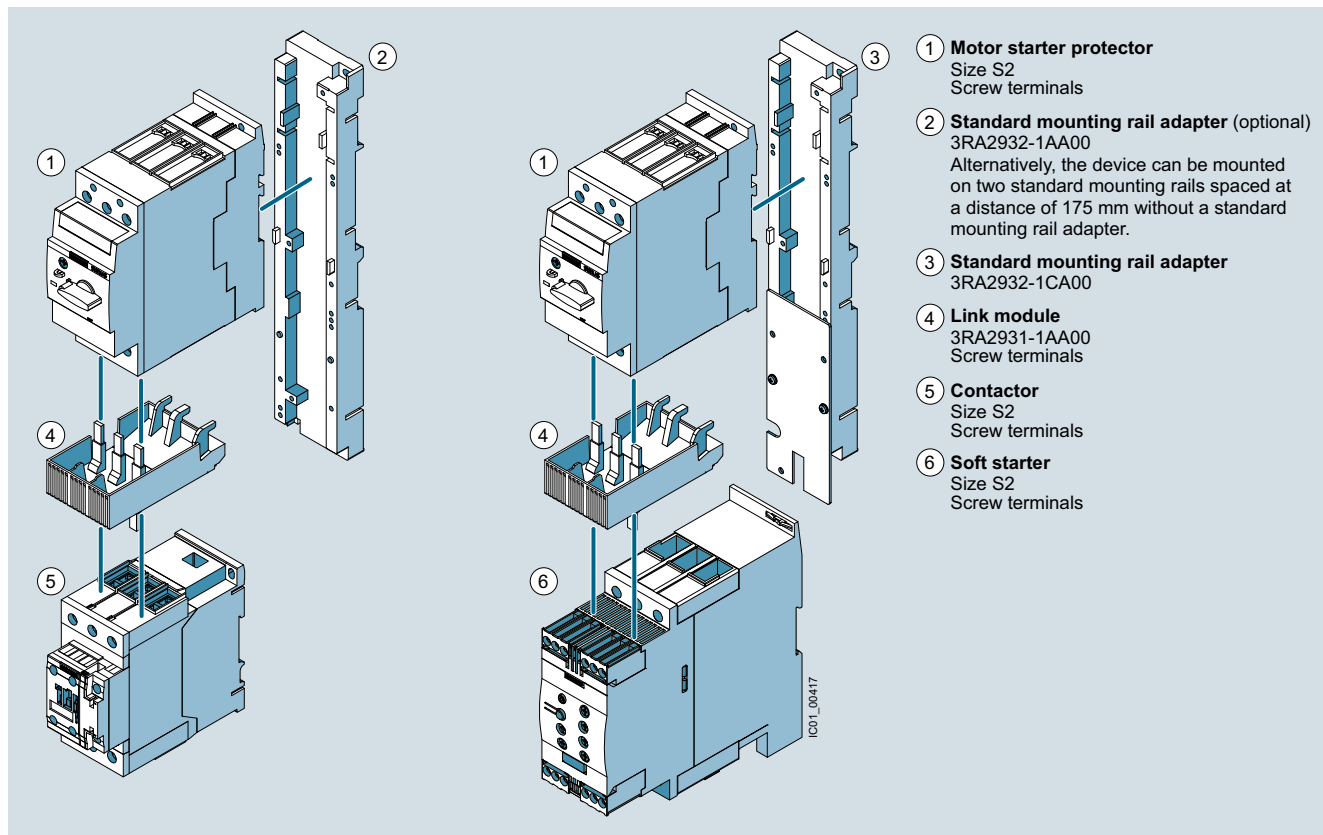
Right: Motor starter protector combination with soft starter with spring-type terminals

Load Feeders and Motor Starters for Use in the Control Cabinet

SIRIUS 3RA2 Load Feeders

General data

Direct-on-line starting • For standard rail mounting • Size S2



Left: 3RA21 load feeder with screw terminals

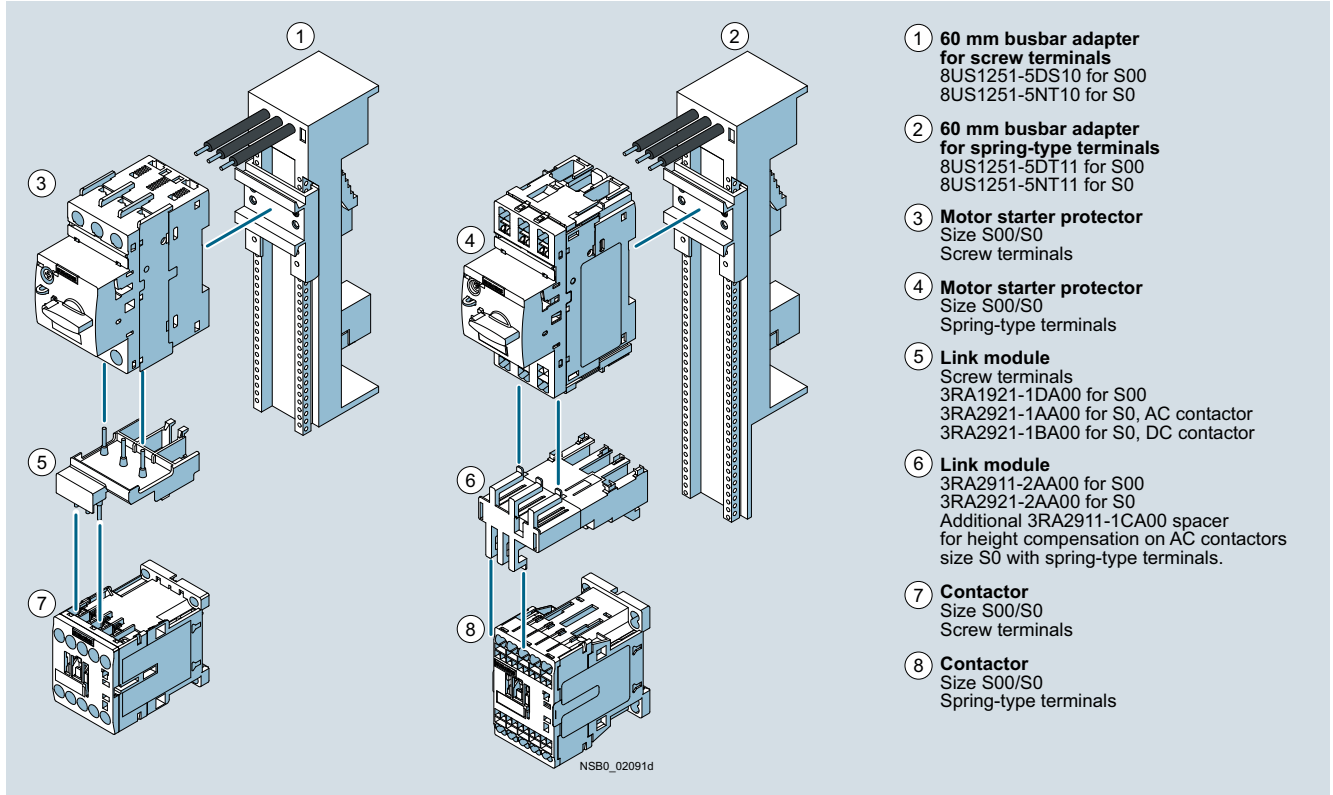
Right: Motor starter protector assembly with soft starter with screw terminals

Load Feeders and Motor Starters for Use in the Control Cabinet

SIRIUS 3RA2 Load Feeders

General data

Direct-on-line starting • For 60 mm busbar systems • Sizes S00 and S0



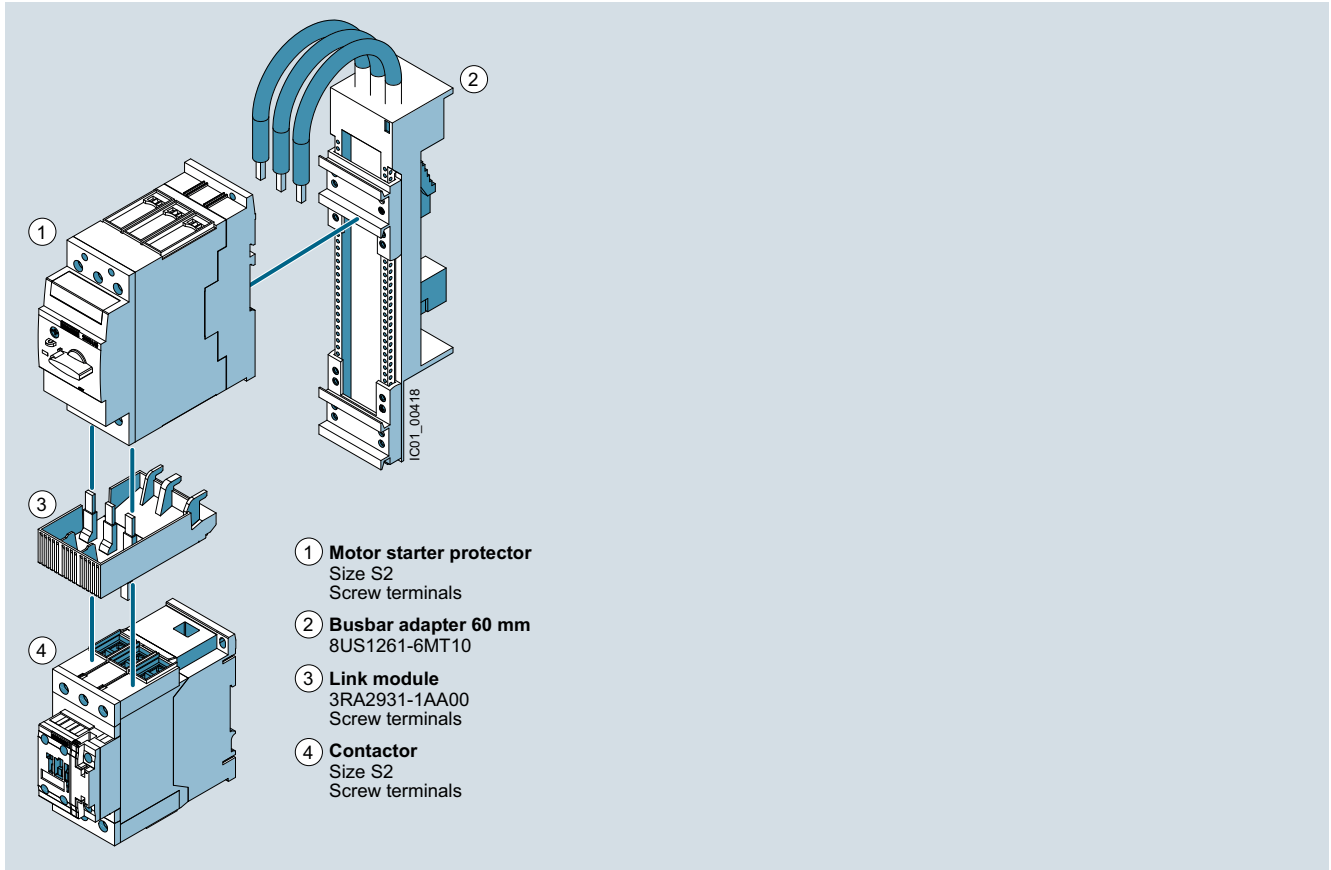
- ① **60 mm busbar adapter for screw terminals**
8US1251-5DS10 for S00
8US1251-5NT10 for S0
- ② **60 mm busbar adapter for spring-type terminals**
8US1251-5DT11 for S00
8US1251-5NT11 for S0
- ③ **Motor starter protector**
Size S00/S0
Screw terminals
- ④ **Motor starter protector**
Size S00/S0
Spring-type terminals
- ⑤ **Link module**
Screw terminals
3RA1921-1DA00 for S00
3RA2921-1AA00 for S0, AC contactor
3RA2921-1BA00 for S0, DC contactor
- ⑥ **Link module**
3RA2911-2AA00 for S00
3RA2921-2AA00 for S0
Additional 3RA2911-1CA00 spacer
for height compensation on AC contactors
size S0 with spring-type terminals.
- ⑦ **Contactor**
Size S00/S0
Screw terminals
- ⑧ **Contactor**
Size S00/S0
Spring-type terminals

Left: 3RA21 load feeder for direct-on-line starting with busbar adapter with screw terminals
 Right: 3RA21 load feeder for direct-on-line starting with busbar adapter with spring-type terminals

Load Feeders and Motor Starters for Use in the Control Cabinet SIRIUS 3RA2 Load Feeders

General data

Direct-on-line starting • For 60 mm busbar systems • Size S2



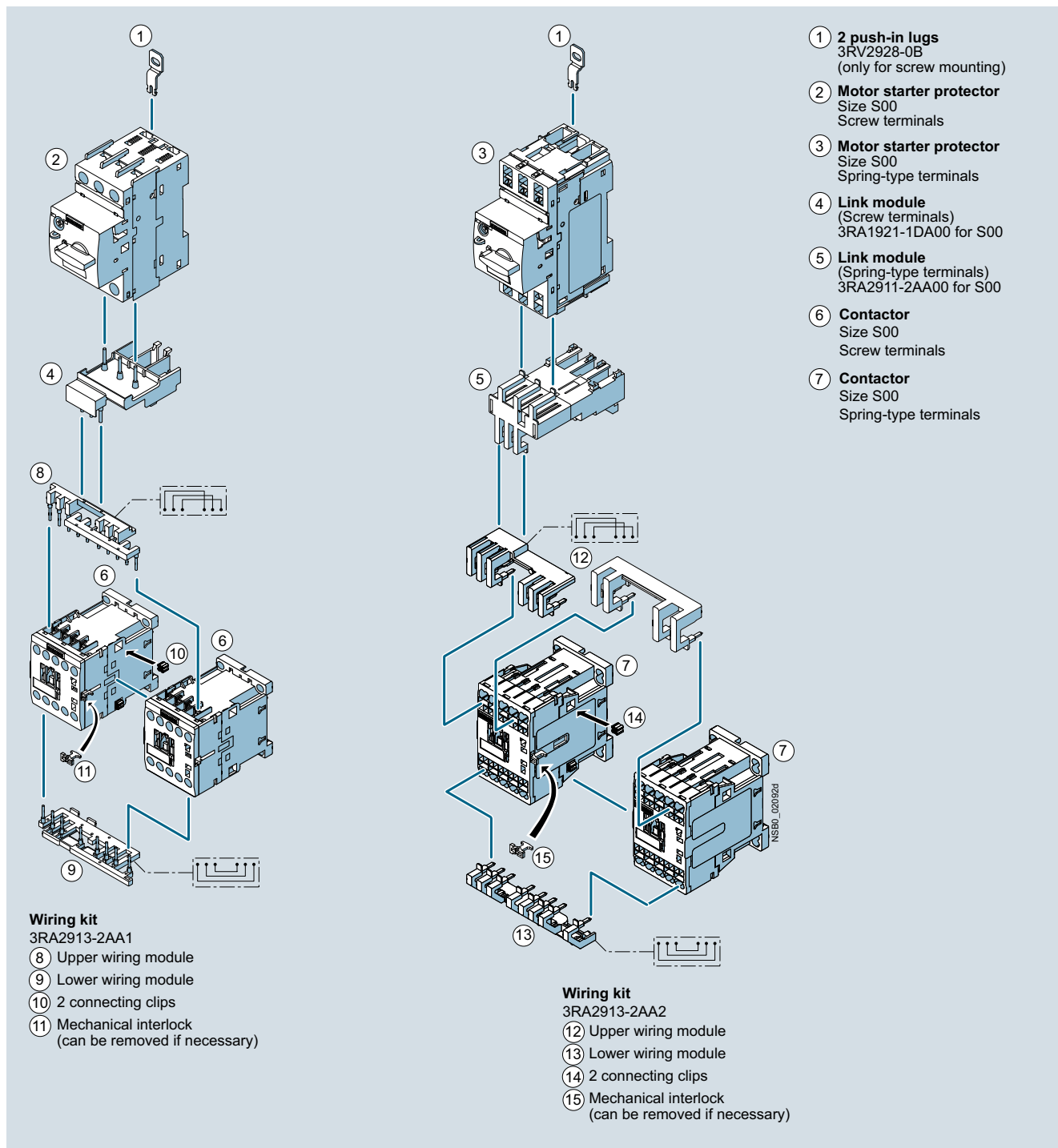
3RA21 load feeder for direct-on-line starting with busbar adapter with screw terminals

Load Feeders and Motor Starters for Use in the Control Cabinet

SIRIUS 3RA2 Load Feeders

General data

Reversing duty • For standard rail mounting or screw fixing • Size S00



Left: 3RA22 load feeder with screw terminals with push-in lugs with 2 contactors for reversing duty and 3RA2913-2AA1 wiring kit for connection of the contactors (incl. mechanical interlocking and connecting clips)

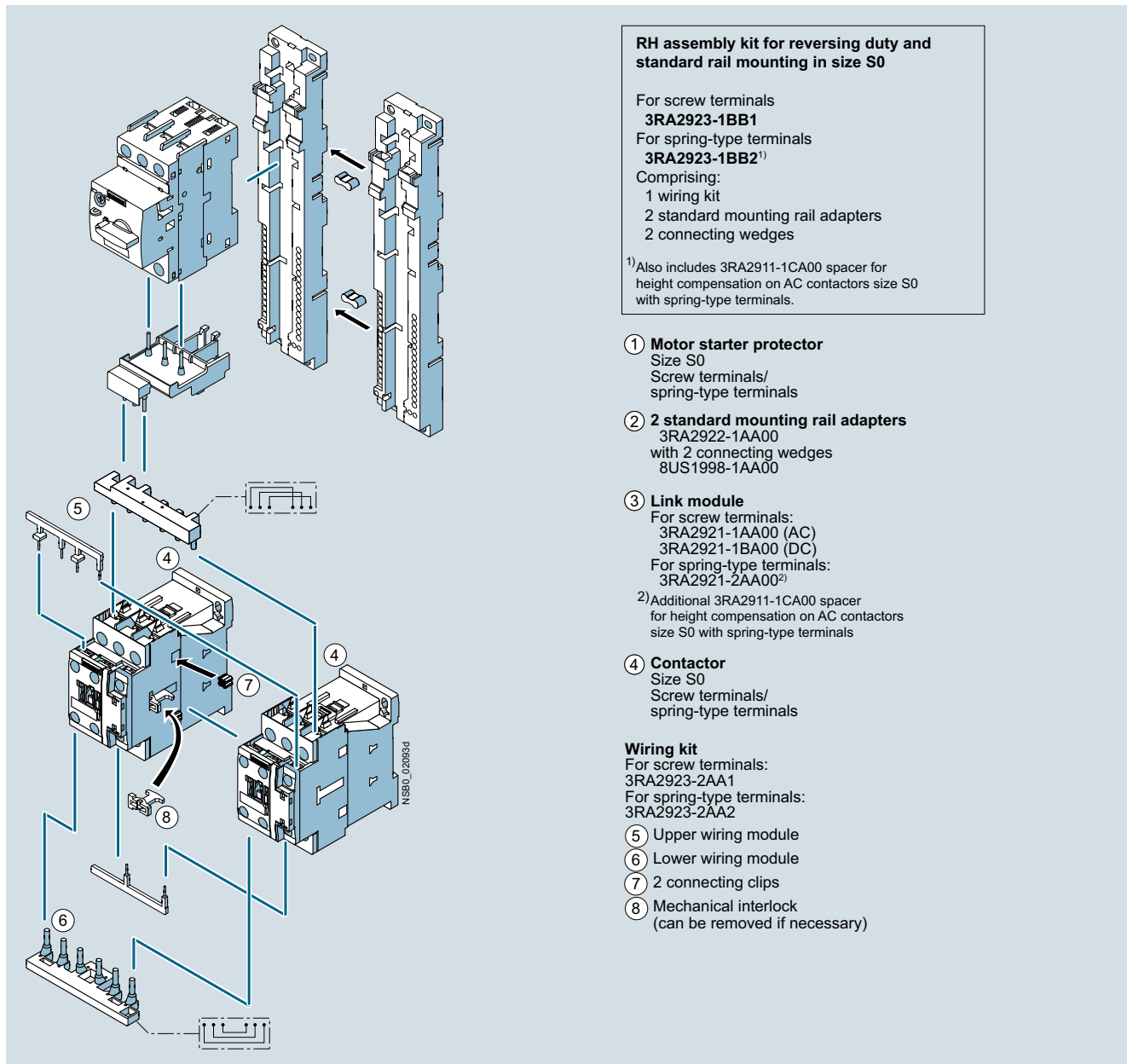
Right: 3RA22 load feeder with spring-type terminals with push-in lugs with 2 contactors for reversing duty and wiring kit 3RA2913-2AA2 (incl. mechanical interlocking and connecting clips)

Load Feeders and Motor Starters for Use in the Control Cabinet

SIRIUS 3RA2 Load Feeders

General data

Reversing duty • For standard rail mounting • Size S0



RH assembly kit for reversing duty and standard rail mounting in size S0

For screw terminals

3RA2923-1BB1

For spring-type terminals

3RA2923-1BB2¹⁾

Comprising:

- 1 wiring kit
- 2 standard mounting rail adapters
- 2 connecting wedges

¹⁾ Also includes 3RA2911-1CA00 spacer for height compensation on AC contactors size S0 with spring-type terminals.

① Motor starter protector

Size S0

Screw terminals/
spring-type terminals

② 2 standard mounting rail adapters

3RA2922-1AA00

with 2 connecting wedges
8US1998-1AA00

③ Link module

For screw terminals:

3RA2921-1AA00 (AC)

3RA2921-1BA00 (DC)

For spring-type terminals:
3RA2921-2AA00²⁾

²⁾ Additional 3RA2911-1CA00 spacer for height compensation on AC contactors size S0 with spring-type terminals

④ Contactor

Size S0

Screw terminals/
spring-type terminals

Wiring kit

For screw terminals:

3RA2923-2AA1

For spring-type terminals:

3RA2923-2AA2

⑤ Upper wiring module

⑥ Lower wiring module

⑦ 2 connecting clips

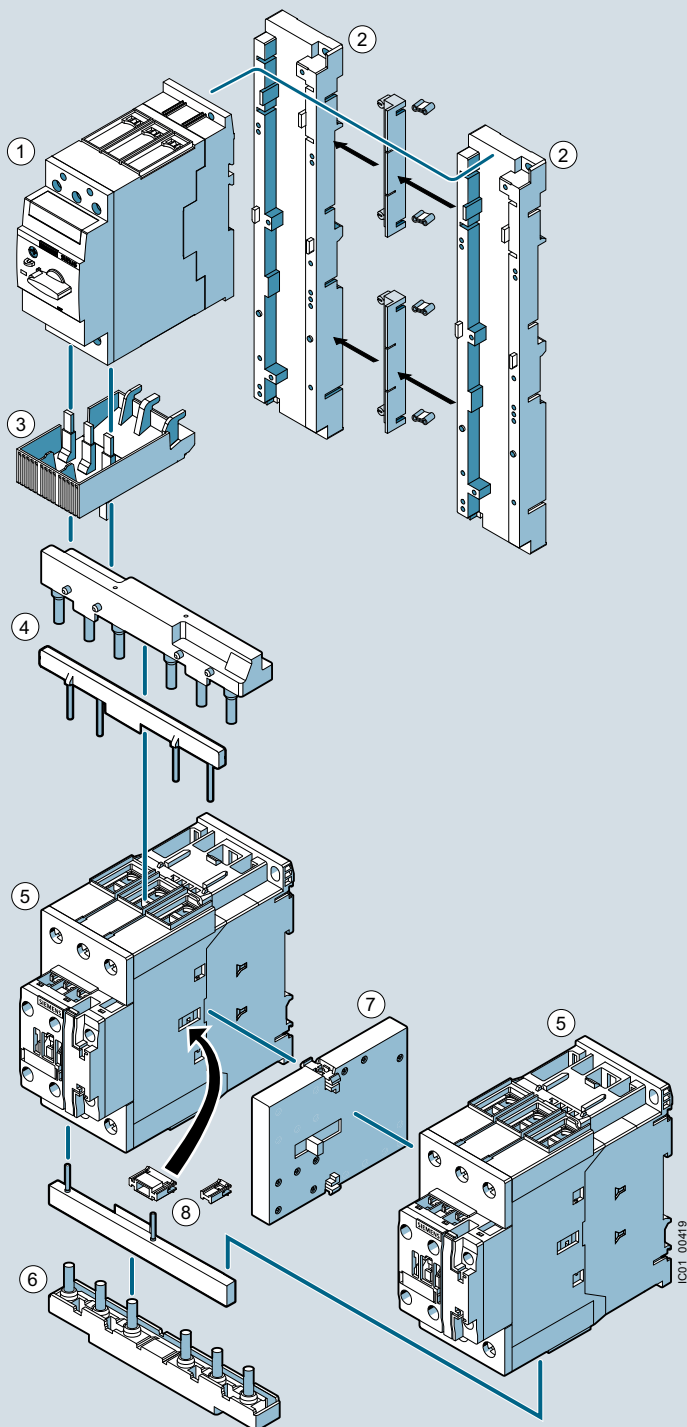
⑧ Mechanical interlock
(can be removed if necessary)

Load Feeders and Motor Starters for Use in the Control Cabinet

SIRIUS 3RA2 Load Feeders

General data

Reversing duty • For standard rail mounting • Size S2



RH assembly kit for reversing duty and standard rail mounting in size S2

3RA2933-1BB1

Comprising:

- 1 Wiring kit for main and auxiliary circuits
- 2 Rail adapters
- 2 Side modules
- 4 Connecting wedges
- 1 Mechanical locking device
- 2 Connecting pins for 2 contactors
- Fixing screws

- ① **Motor starter protector**
Size S2
Screw terminals
 - ② **Standard mounting rail adapter**
3RA2932-1AA00
with 4 connecting wedges
8US1998-1AA00
and 2 side modules
3RA1902-1B
 - ③ **Link module**
3RA2931-1AA00
Screw terminals
 - ⑤ **Contactors size S2**
Screw terminals
- Wiring kit**
For screw terminals
3RA2933-2AA1
- ④ Upper wiring module
 - ⑥ Lower wiring module
 - ⑦ Mechanical interlock
3RA2934-2B
 - ⑧ 2 Connecting pins

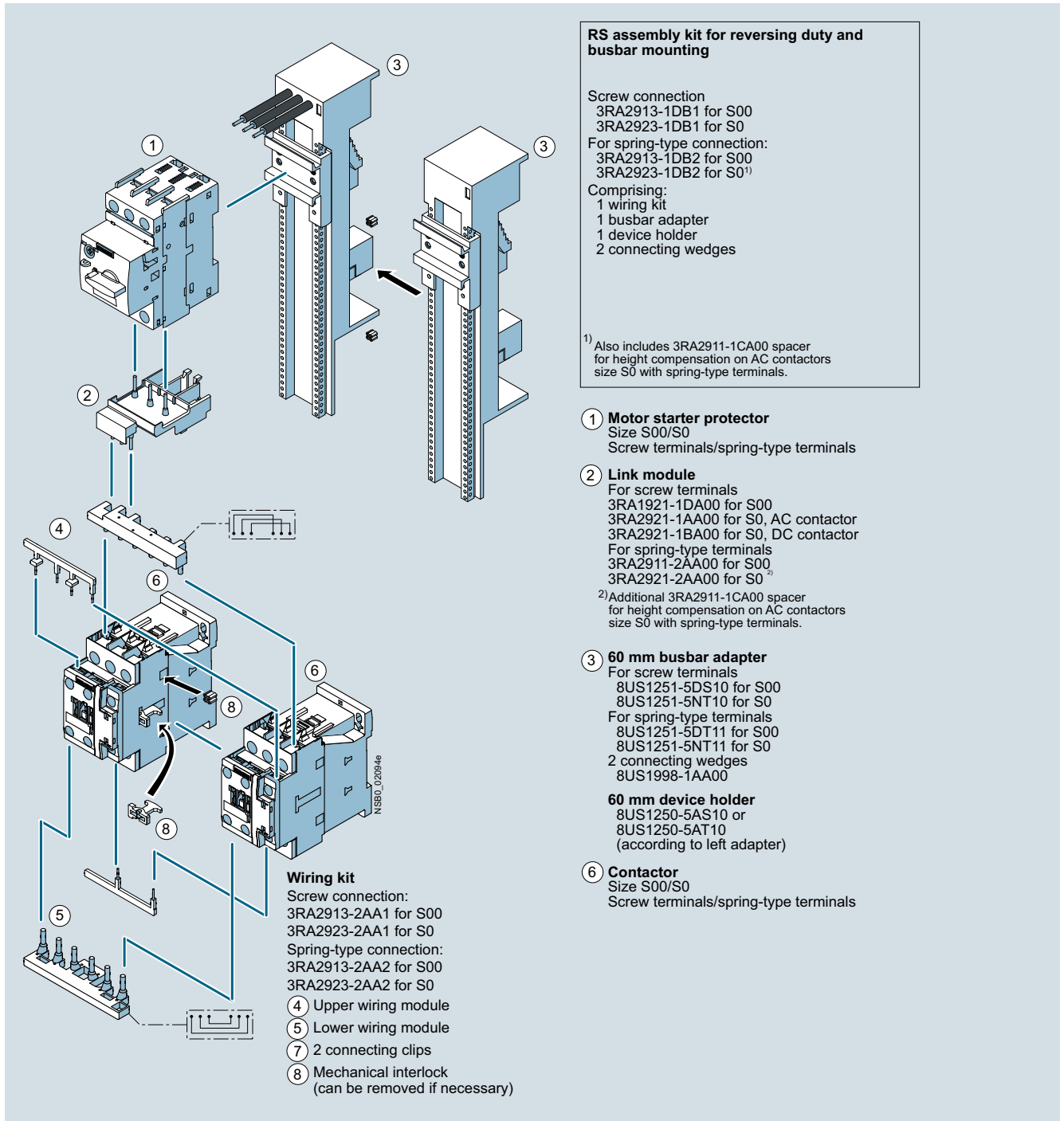
Load feeder for reversing duty and standard rail mounting in size S2
(the version with screw terminals is shown in the picture)

Load Feeders and Motor Starters for Use in the Control Cabinet

SIRIUS 3RA2 Load Feeders

General data

Reversing duty • For 60 mm busbar systems • Sizes S00 and S0



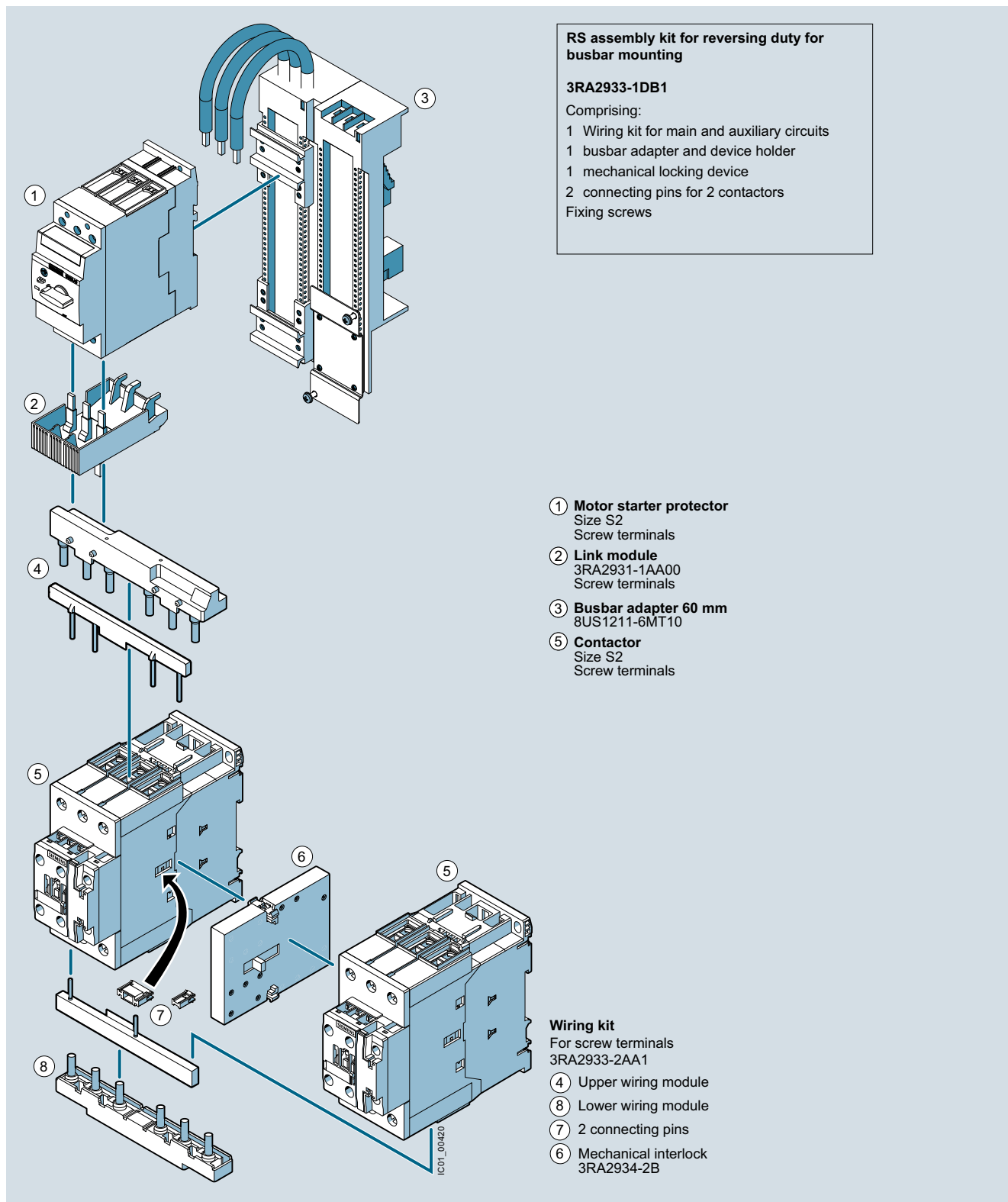
3RA22 load feeder for reversing duty and 60 mm busbar in size S00/S0
 (the version with screw terminals is shown in the picture)

Load Feeders and Motor Starters for Use in the Control Cabinet

SIRIUS 3RA2 Load Feeders

General data

Reversing duty • For 60 mm busbar systems • Size S2



Load feeder for reversing duty and 60 mm busbar in size S2
(the version with screw terminals is shown in the picture)